

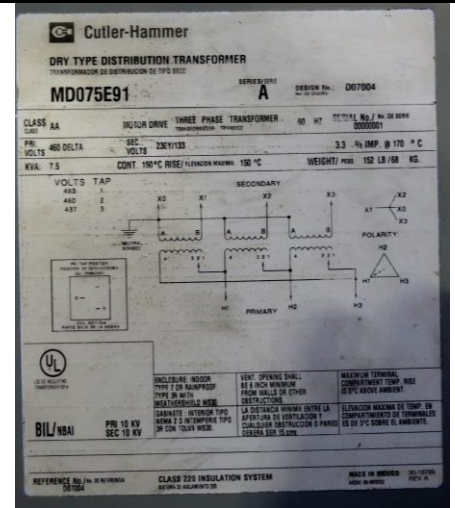


American Electric Components, Inc.

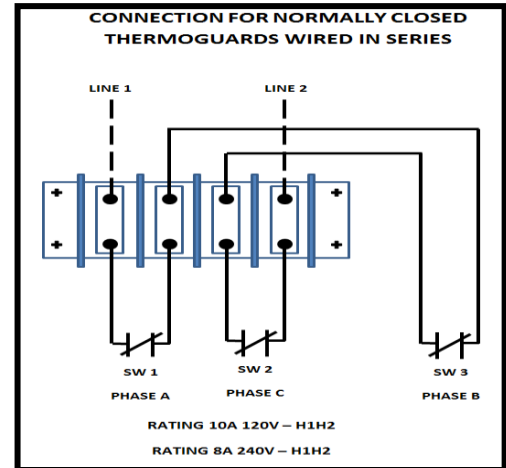
4901 FRUITLAND AVE.
VERNON, CA 90058

PHONE: (323) 771- 4888 • FAX: (323) 771- 4775
http://www.aecinc1.com E-mail: raul@aecinc1.com

LOCATED @:	AEC, INC	PICTURE FILE:		DATE:	4/11/14
------------	----------	---------------	--	-------	---------



	American Electric Components, Inc.				
	VERNON CALIFORNIA U.S.A.	DV-220			
	www.aecinc1.com				
DRY TYPE TRANSFORMER, AL WOUND					
KVA	7.5	COOLING CLASS	AA	RISE	150 °C
VOLTAGE	460 – 230Y/133 with HV taps: 1+, 1-, 5 %				
PH	3	HZ	60	INSULATION SYSTEM	DV220 °C
SERIAL NO.	1404050-3	CAT NO.	7.5TD1OPX		
% IMPEDANCE AT	3.3	°C HV BIL	10 KV		
TOTAL WEIGHT	152	LBS.	LV BIL	10 KV	
Cutler-Hammer SN J97H1060					



NAMEPLATE INFORMATION

Manufactured by Cuttler-Hammer, Reconditioned by American Electric Components, Inc

KVA: 7.5 COOLING CLASS: AA RISE TEMP: 150 °C

VOLTAGE: 460 – 230Y/133 with HV taps: 1+, 1-, 5 %

ENCLOSURE: NEMA 1 INDOOR PHASE: 3 HERTZ: 60

SERIAL NO: 1404050-3 STYLE NO: 7.5TD1OPX

% IMP: 3.3 WEIGHT: 152 LBS ALUMINUM WOUND

DIM: 14 ½ H x 20 ½ W x 25 D

NOTES: Cuttler-Hammer SN J97H1060 - UR DV220 °C Ins. System, with (3) Thermoguard switches / Reconditioned with one year warranty